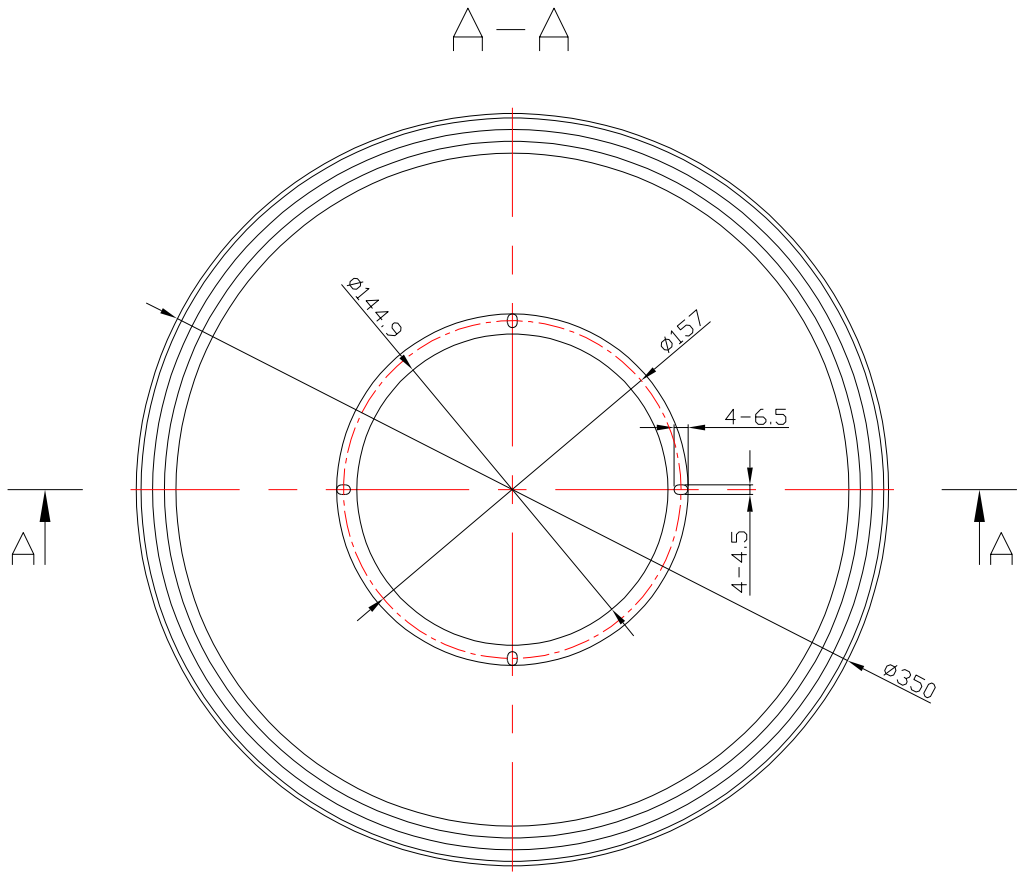
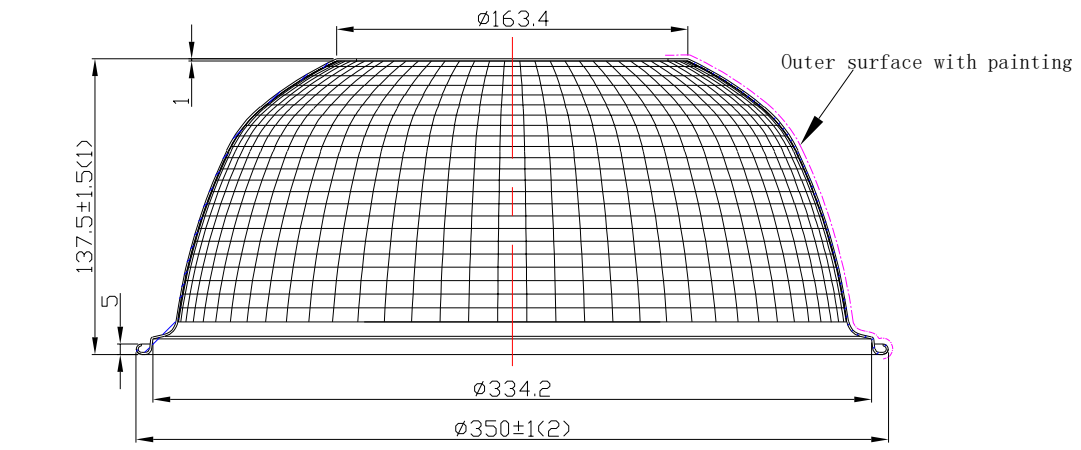


table for unmentioned tolerance in the drawing (unit: mm)			punch angle tolerance in the drawing (unit:degree)		
0-5	5-30	30-120	0-10	10-50	50-120
±0.15	±0.2	±0.5	±1°	±0.5°	±0.3°
120-250	250-400	400-700	120-250	250-360	360 above
±0.8	±1.5	±2	±0.2°	±0.166°	±0.083°



Technical requirements:

1. Material: t=1.0mm 1070AL.
2. Surface treatment: Outer surface with painting, interior standard light.
3. Product tolerance reference tolerance table.

						Engineering drawings		Nata® NATA Lighting Co.,Ltd	
Mark	Amended Times	Amended Content		Signature	Amended Date	Customer Item			
Control Version	AO	Design Version	KO	Client Version		Customer Code	NT		
Designer	Drawing by		Proportion	1:1		Product Number	91.13.0048.000		
Technology	Auditor		View			Product Name	13-0048-K		
Approval	Date	2019.08.22	Page	Total Page					